



er ready



ee link



24 V



U-Link

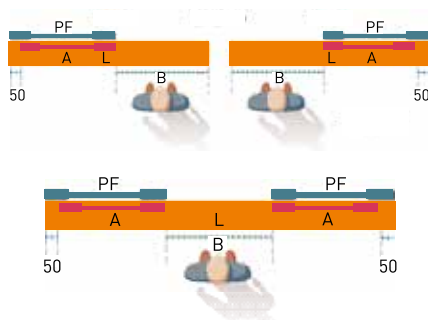


d-track



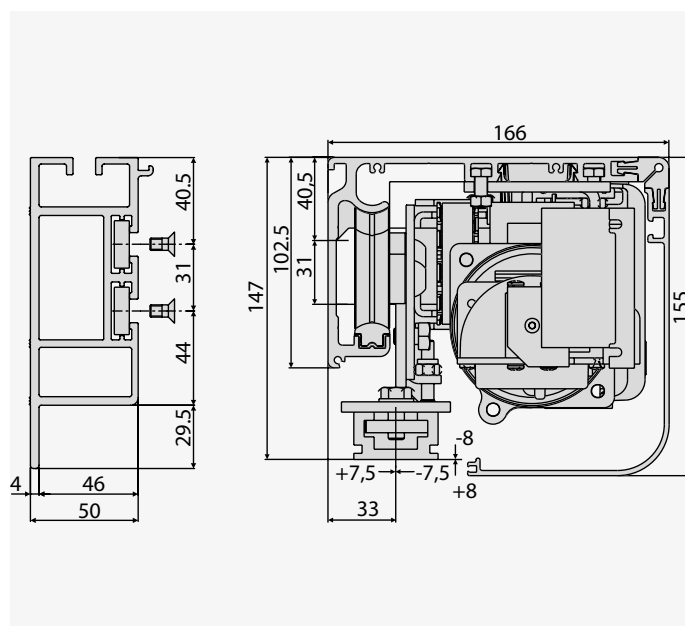
Complete range of automation systems for sliding pedestrian doors with a maximum leaf weight of 150 kg. The control unit, with a programming display and microprocessor technology, makes it possible to control all the main functions automatically. Shock-absorbing track and specially shaped wheels ensure that movement is absolutely silent. U-Link interconnectivity protocol

Automation systems for automatic pedestrian doors



- Case length (L)
- Opening (B)
- Leaf length (A)
- Fixed part (PF) A+50

## Dimension (mm)



## Technical features

	VISTA SL-1	VISTA SL-2
Control unit	ARIA EVO	ARIA EVO
Supply voltage	24 V	24 V
Nominal power consumption	230 W	230 W
Leaf type	Sliding	Sliding
Number of doors	1	2
Door weight	150 kg	120+120 kg
Manual cycle	Reversible	Reversible
Motor type	Dunker motor	Dunker motor
Type of limit switch	Encoder + mechanical stop for opening	Encoder + mechanical stop for opening
Clear opening	750 mm	800 mm
Opening speed	up to 100	up to 200
Closing speed	up to 100	up to 200
Approach speed	5 ÷ 10	5 ÷ 10
Locking	Mechanical	Mechanical
Release	Release lever	Release lever
Impact reaction	Electronic torque limiter	Electronic torque limiter
Use cycle	Continuous	Continuous
Protection rating	IPX0	IPX0
Environmental conditions	50 °C	50 °C